
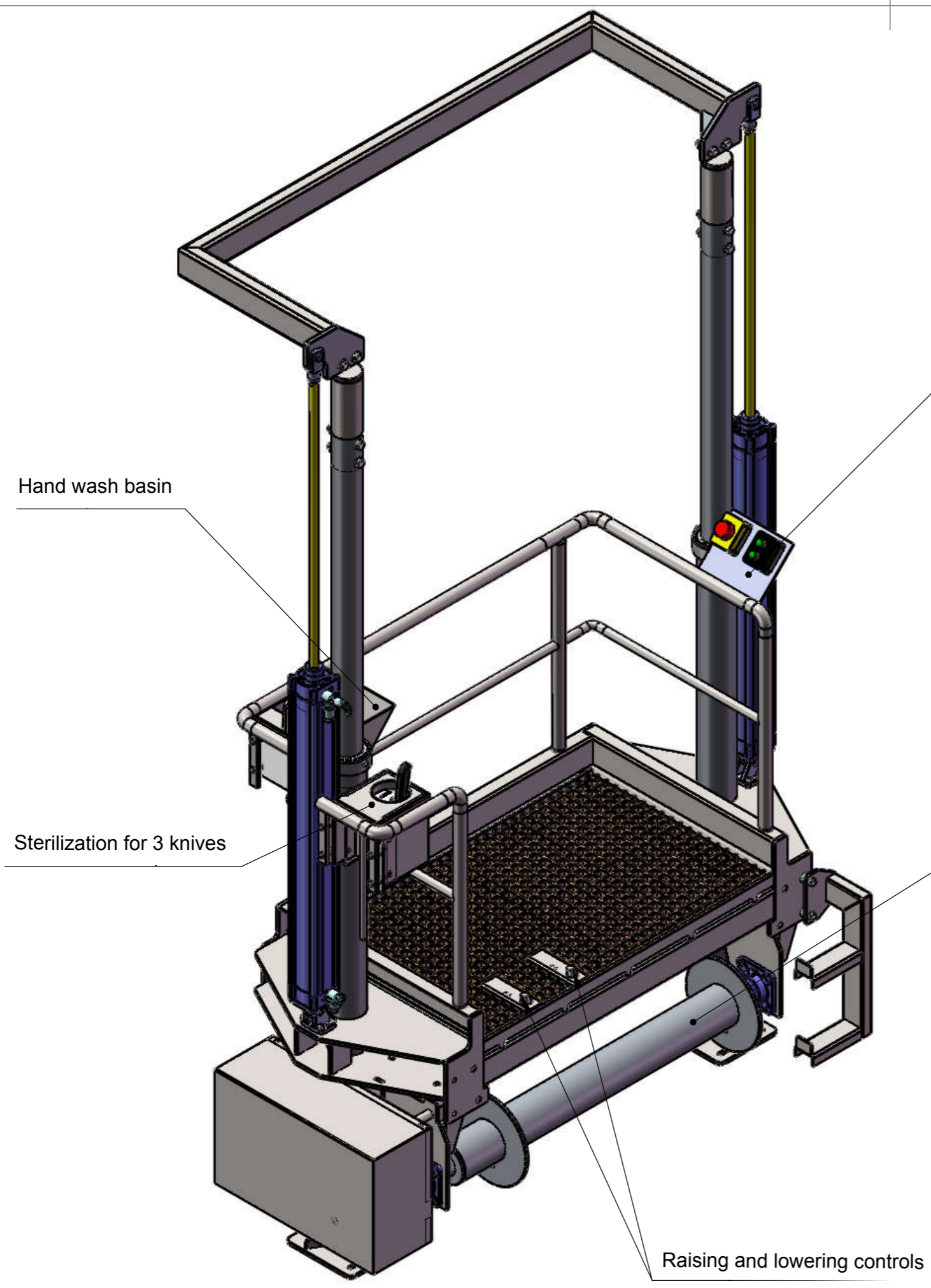


	Kesäkuje 23, FIN-61801 KAUIHAJOKI www.kometos.com mailbox@kometos.com		DESIGNED	MP	06.02.2017
			CHECKED		
			APPROVED		
CLIENT					WEIGHT
PROJECT					kg
DRAWING TITLE	Hide pulling table setup		REV. NO.	PRO1	REF. DWG
	SCALE		A1	1:10	DWG NO.
					A23868

We reserve all rights in this document and in the information contained therein. Reproduction, use or disclosure of this parties without express authority is strictly forbidden. KOVBECS OY

Symbols for roughness according to ISO 1302. %DA.431

General tolerances for linear and angular dimensions and geometrical tolerances: ISO 2768-mK. Referential standards: %DA.422, DIN 71681.1



 <p>Keskustie 23, FIN-61801 KAUHAJOKI www.kometos.com mailbox@kometos.com</p>			DESIGNED	MP	06.02.2017
			CHECKED		
			APPROVED		
PRODUCTION ORDER	QTY	WORK TIME/UNIT		WEIGHT	kg
PROJECT				REV. NO.	REF. DWG
DRAWING TITLE			SCALE	DWG NO	
Hide pulling table setup			A3	A23868	