
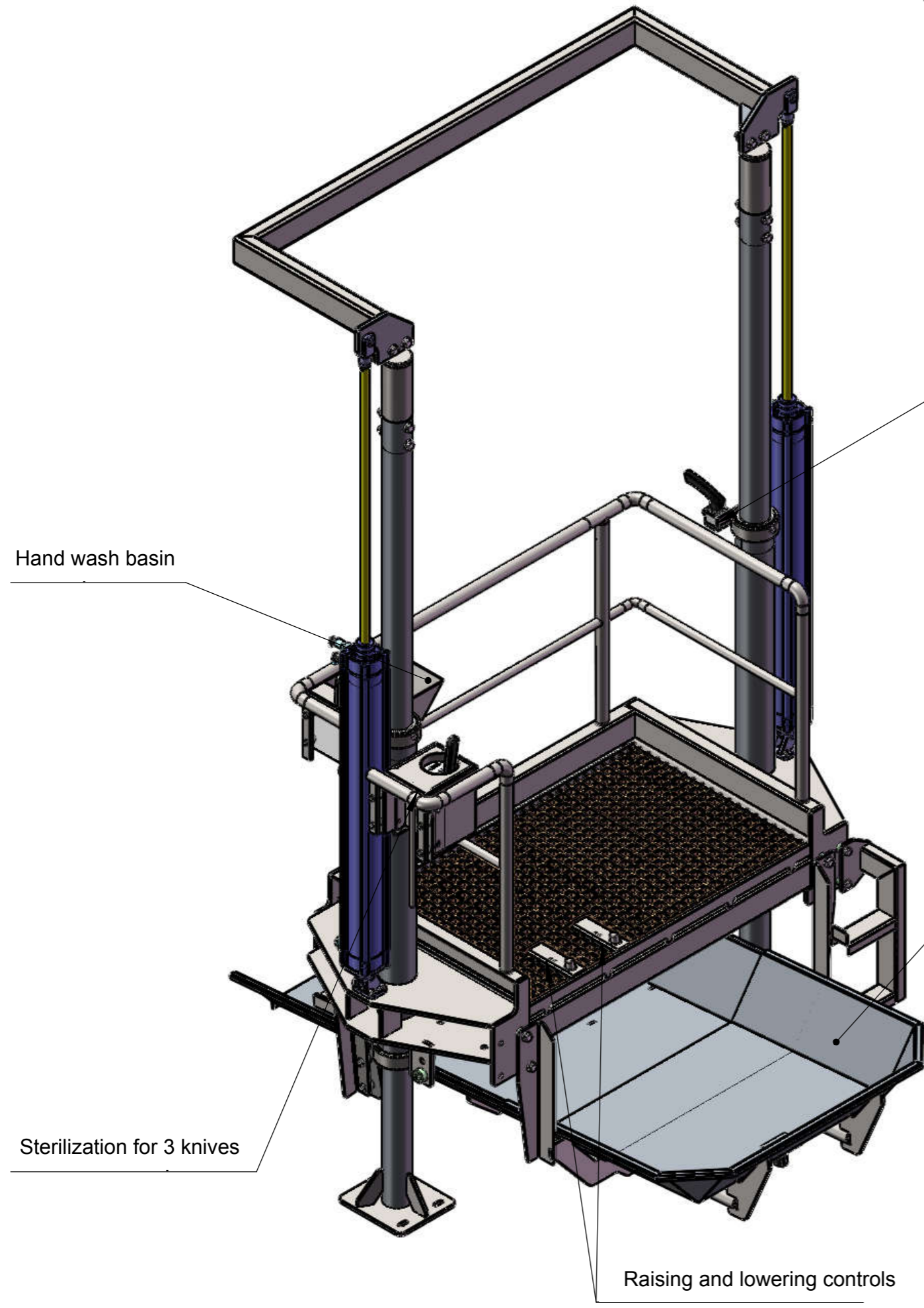
	Kesätie 23, FIN-61801 KAUIHAJOKI www.kometos.com mailbox@kometos.com		DESIGNED	MP	06.02.2017
			CHECKED		
			APPROVED		
CLIENT				WEIGHT	kg
PROJECT			REV. NO.	REF. DWG	
DRAWING TITLE			PR02		
Evisceration table setup			SCALE	DWG NO.	
			A1 1:15	A23867	

We reserve all rights in this document and in the information contained therein. Reproduction, use or disclosure of this patent without express authority is strictly forbidden. KOVBECS OY

Symbols for roughness according to ISO 1302.
%DA.431

General tolerances for linear and angular dimensions and geometrical tolerances: ISO 2768-mK
Referential standards: %DA. 422, DIN 71681.1





Evisceration trough control

Hand wash basin

Evisceration trough

Sterilization for 3 knives

Raising and lowering controls

			DESIGNED	MP	06.02.2017
			CHECKED		
			APPROVED		
PRODUCTION ORDER	QTY	WORK TIME/UNIT		WEIGHT	kg
PROJECT	REV. NO.	PR02		REF. DWG	
DRAWING TITLE Evisceration table setup			SCALE	A3	DWG NO A23867

Keskustie 23, FIN-61801 KAUHAJOKI
www.kometos.com
mailbox@kometos.com